

## Air Motors

### ATEX Air Motors



#### Direct Drive Multi Vane Motors

- MRV & MVA Series motors.

#### In-Line Planetary Gear Multi Vane Motors

- M002, M004 and M007 Series motors.

#### Milling and Sawing Motors

- ARO 2200 - series 78 motors.

#### Air Starter Motors

- A range of Engine Starter motors.

**CERTIFIED ATEX ZONE 1**



#### For more information, please contact:

##### UK & Ireland

Ingersoll Rand Sales Company Ltd.  
Productivity Solutions  
Hindley Green  
Wigan  
Lancashire  
WN2 4EZ  
England  
Tel: +44 (0)1942 257171  
Fax: +44 (0)1942 503451

##### France & Benelux

Ingersoll Rand  
Productivity Solutions  
Z.I. du Chêne Sorcier  
78346 Les Clayes sous Bois  
Tel: +33 (0) 8 10 22 27 77  
Fax: +33 (0) 1 30 07 69 80

##### Spain & Portugal

Ingersoll Rand Ibérica  
Productivity Solutions  
Tierra de Barros, 2  
28820 - Coslada  
Madrid  
Spain  
Tel: +(34) 91 6277405  
Fax: +(34) 91 6277406

[www.ingersollrand.com](http://www.ingersollrand.com)

Distributed by :

##### Italy

Ingersoll Rand italiana Spa  
Strada Provinciale Cassanese 108  
20060 VIGNATE, Milano  
Italy  
Phone: +39 02 95056261  
Fax: +39 02 95360159

##### Germany & Central Europe

Ingersoll Rand GmbH  
Productivity Solutions  
Wilhelmstrasse 20  
45478 Mülheim / Ruhr  
Tel: +49 / (0)208 / 9994-0  
Fax: +49 / (0)208 / 9994-445  
[www.ingersollrand.de](http://www.ingersollrand.de)

##### Nordic & Baltic Region

Ingersoll Rand  
Productivity Solutions  
Drammensveien 126A  
0277 Oslo, Norway  
Tel: +47 2255 1526  
Fax: +47 2243 6581

##### Russia & CIS

Ingersoll Rand  
Bld. 1, 32/1 Myasnitskaya Street  
101990 MOSCOW,  
Russia  
Phone: +7 095 933 03 24  
Fax: +7 095 785 21 26

##### Czech / Slovak Republic

Ingersoll Rand technical & Services  
Ostrovského 34  
151 28 PRAGUE,  
Czech Republic  
Phone: +420 2 57 109 756  
Fax: +420 2 57 109 758

##### Poland

Ingersoll Rand  
Nowiniarska 1 ap.1  
PL 00-235 WARSAW,  
Poland  
Phone: +48 22 635 72 45  
Fax: +48 22 635 73 32

##### Southern Africa

Ingersoll Rand Company SA  
PO Box 123720  
Alrode 1451  
South Africa  
Tel: +27 11 864 3930  
Fax: +27 11 864 3954

Nothing contained within this brochure is intended to extend any warranty or representation, expressed or implied, regarding the products described herein. Any such warranties or other items or conditions of sale of products shall be in accordance with Ingersoll Rand's standard terms and conditions of sale for such products, which are available upon request. Product improvement is a continuing goal at Ingersoll Rand. Designs and specifications are subject to change without notice or obligation.

 **Ingersoll Rand**  
Industrial Technologies

 **Ingersoll Rand**

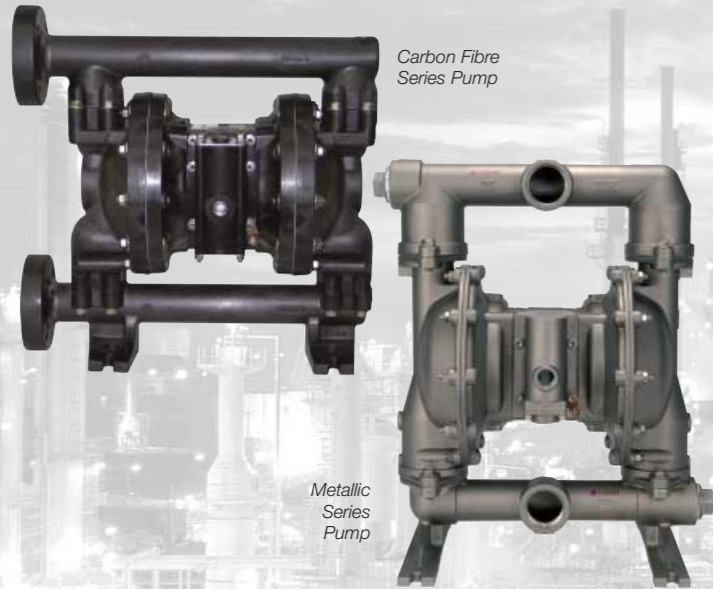
## ATEX Certified Products

Pneumatic & Hydraulic Products: Pumps, Motors,  
Impact Wrenches & Lifting Equipment



## Process Pumps

### EXP ATEX Diaphragm Pumps



#### Smart Carbon Fibre Series

- 1", 1½", and 2" models.
- Up to 696 lpm flow.
- Up to 46 % energy operating cost savings against competition.

#### Metallic Series

- ½", 1", 1½", 2" and 3" models.
- Up to 1040 lpm flow.
- Up to 68 % energy operating cost savings against competition.

**CERTIFIED ATEX ZONE 1**



## Maintenance & Repair Tools

### SP Series Impacttools



#### Composite bodied pistol grip Impacttools

- ¾" and 1" square drive models.
- Up to 1620 Nm torque.
- Proven reliability and long-life.



#### Rugged ZA alloy bodied in-line Impacttools

- Two 1" square drive models.
- Up to 2170 Nm torque.
- Proven reliability and long-life.

**CERTIFIED ATEX ZONE 1**



## Lifting Solutions

### Air & Hydraulic Hoists



#### MLK Series Hoists

- 0.25 to 1 metric ton capacity.

#### HLK Series Hoists

- 1 to 6 metric ton capacity.

#### Palair® lube free Hoists

- 0.25 to 2 metric ton capacity.

#### Liftchain® Pneumatic and Hydraulic Hoists

- 1.5 to 100 metric ton capacity.

#### Trolleys

- A full selection of plain, geared and motorised trolleys available for all hoists.



### Utility & Manriding Air Winches



#### Utility Winches

- For lifting, pulling or tensioning.
- Portable models from 0.15 to 2 ton capacity.
- Heavy capacity models from 2 to 10 tons.

#### Manriding Winches

- Dedicated winches for offshore oil and drilling.
- Capacities from 150 to 3100 kg.

All winches have type approval certificates from DNV, ABS or LRS.

LS gear motor winch



Force 5 piston motor winch



**CERTIFIED ATEX ZONE 1\***



\* The hoists are certified to zone 2 as standard. They are specified to zone 1 with special spark resistant package.